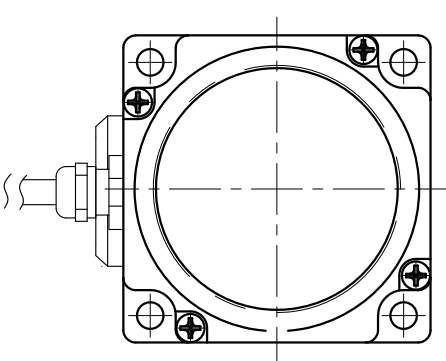
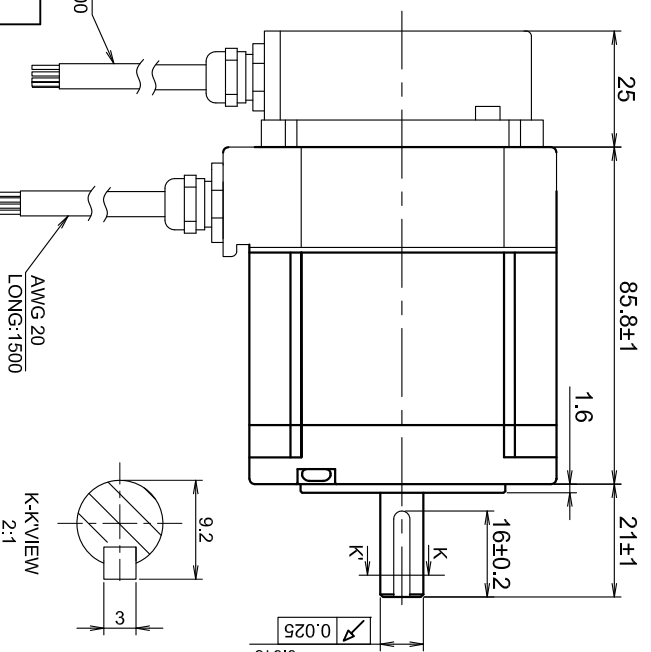
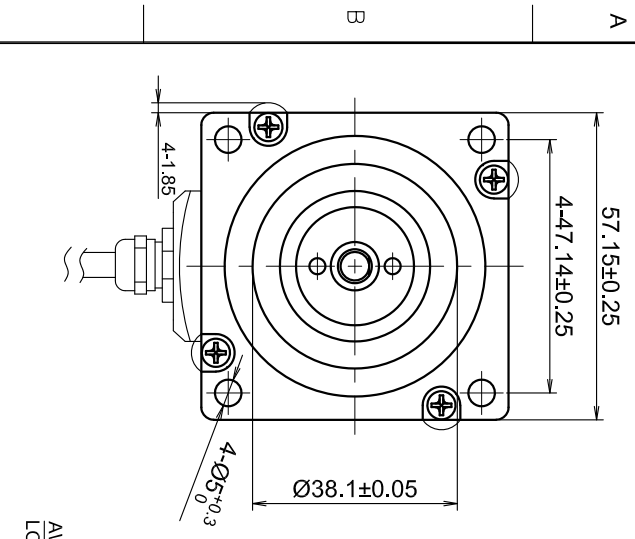
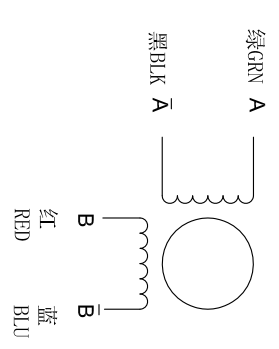


ROHS



接线图 WINDING DIAGRAM

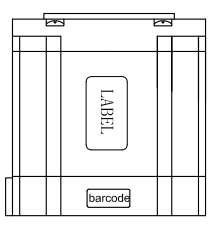


励磁顺序 (两相励磁) VS 旋转方向  
EXCITING SEQUENCE(TWO PHASES)  
VS. DIRECTION OF ROTATION

STEP	A	B	Ā	B̄
1	+	+	-	-
2	-	+	+	-
3	-	-	+	+
4	+	-	-	+

从电机安装面看为顺时针  
CLOCK WISE VIEW FROM MOUNTING SIDE

编码器接线 ENCODER CONNECTION	
黑 BLK	GND
红 RED	+5V
蓝白 BLU/WHT	EA-
蓝 BLU	EA+
橙白 ORG/WHT	EB-
橙 ORG	EB+



YYWWXXXXXX  
Stator barcode label

注 黑色端盖  
NOTE: BLACK ENDBELLS

编码器参数 ENCODER SPECIFICATIONS	
分辨率 RESOLUTION	1000ppr
额定电压 POWER SUPPLY	5 Vdc
输出类型 OUTPUT TYPE	line driver
电机参数 MOTOR SPECIFICATIONS	
步进角 STEP ANGLE	1.8°±5%
额定电流 RATED CURRENT	5.0 Amps/PHASE
保持力矩 HOLDING TORQUE	2.0 N.m MIN.
电阻 RESISTANCE	0.49 ohm±0.1 AT 25°C
电感 INDUCTANCE	1.8 mH±20% AT 1kHz, 1Vrms
转子惯量 ROTOR INERTIA	480g.cm <sup>2</sup>
绝缘等级 INSULATION CLASS	CLASS B
绝缘耐压 DIELECTRIC STRENGTH	500V A.C 1MINUTE
防护等级 IP CODE	IP 65
重量 WEIGHT	1100g
温升 TEMPERATURE RISE	80K MAX.
运行环境温度 OPERATING TEMPERATURE	-20°C---+50°C
允许轴向负载 SHAFT AXIAL LOAD	15N
允许径向负载 SHAFT RADIAL LOAD	75N (ON THE SHAFT END)

电机型号 MOTOR CODE

EW23-350I-E1000-S1

步进电机规格书

单位/UNIT: mm  
未标注长度及角度默认公差  
UNLESS OTHERWISE SPECIFIED TOLERANCES

长度/DIMENSIONS: ±0.3mm  
角度/DEGREES: ±5%

正投影 ORTHOGRAPHIC PROJECTION: 1st ANGLE

电机检验标准/Motor inspection standard: QC-ZL-011  
编码器检验标准/Encoder inspection standard: QC-ZL-013

www.aiwemotoin.com



APPROVED

REV.	DATE
A	13-01-23

REVISIONS	first version
BY	LUFEVY