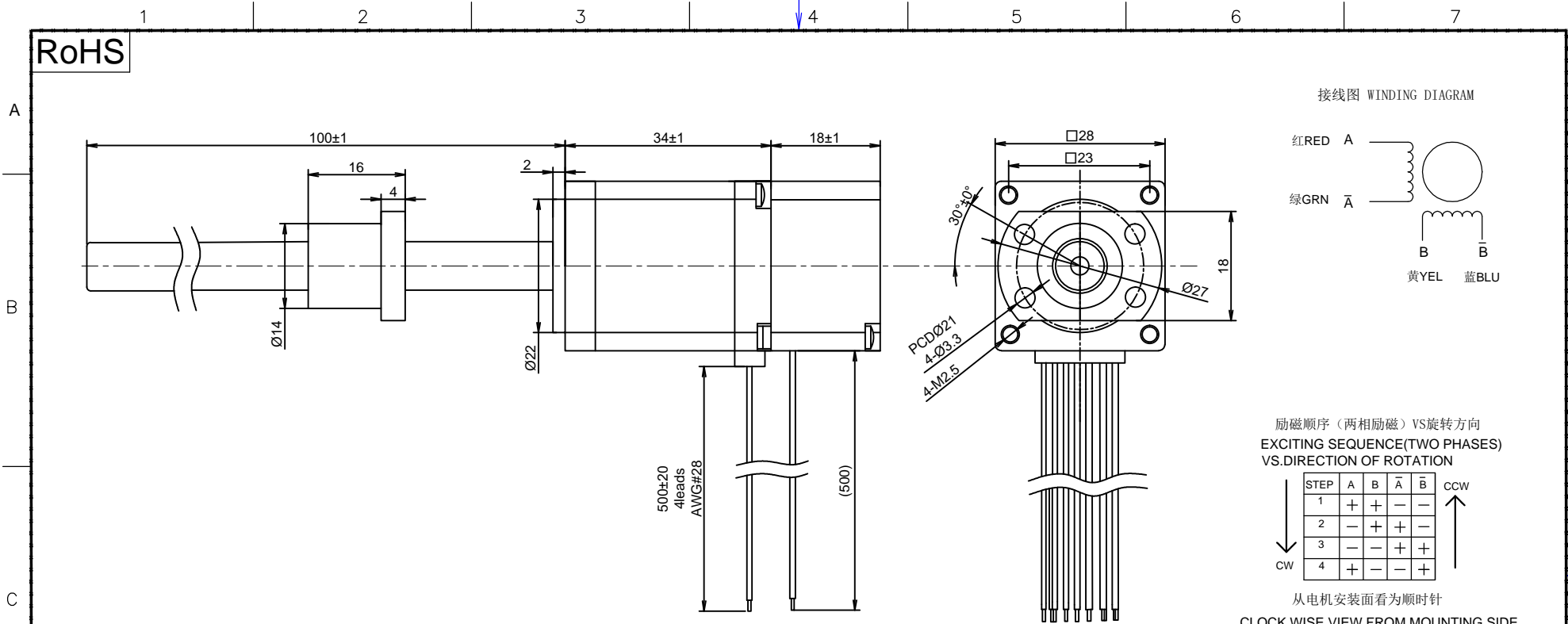
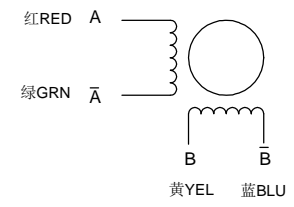


RoHS



接线图 WINDING DIAGRAM



励磁顺序 (两相励磁) VS 旋转方向
EXCITING SEQUENCE (TWO PHASES)
VS. DIRECTION OF ROTATION

STEP	A	B	A̅	B̅	Direction
1	+	+	-	-	CCW
2	-	+	+	-	
3	-	-	+	+	CW
4	+	-	-	+	

从电机安装面看为顺时针
CLOCK WISE VIEW FROM MOUNTING SIDE

电机参数 MOTOR SPECIFICATIONS

步进角 STEP ANGLE	1.8°±5%
额定电流 RATED CURRENT	1.0 Amps/PHASE
保持力矩 HOLDING TORQUE	0.1N.m
电阻 RESISTANCE	4.0 ohm±0.15 AT 25°C
电感 INDUCTANCE	4.2 mH±20% AT 1kHz, 1Vrms
转子惯量 ROTOR INERTIA	
绝缘等级 INSULATION CLASS	CLASS B
绝缘耐压 DIELECTRIC STRENGTH	500V A.C 1MINUTE
绝缘电阻 INSULATION RESISTANCE	100MΩ@500VDC
螺纹直径 SCREW DIAMETER	8mm
导程 SCREW LEAD	2mm
步长 DISTANCE PER STEP	0.01mm/步
环境温度 OPERATING TEMPERATURE	-20°C ~ +50°C
温升 Heat Rise	80K

编码器接线表 (1000线)

描述	颜色
EZ-	蓝/BLU
EZ+	红/RED
EB-	灰/GRY
EB+	橙/ORG
EA-	黄/YEL
EA+	绿/GRN
VCC	白/WHT
EGND	棕/BRW

YYWWXXXXX

Stator barcode label



电机型号 MOTOR CODE
EW11-110-B02100-E1000
步进电机规格书

UNIT: mm
UNLESS OTHERWISE SPECIFIED TOLERANCES
/DIMENSIONS: ±0.3mm /DEGREES: ±5%
电机检验标准 / Motor inspection standard: QC-ZL-011

REV.	DATE	REVISIONS	BY
A	01-07-22	first version	Luffy

APPROVED
John