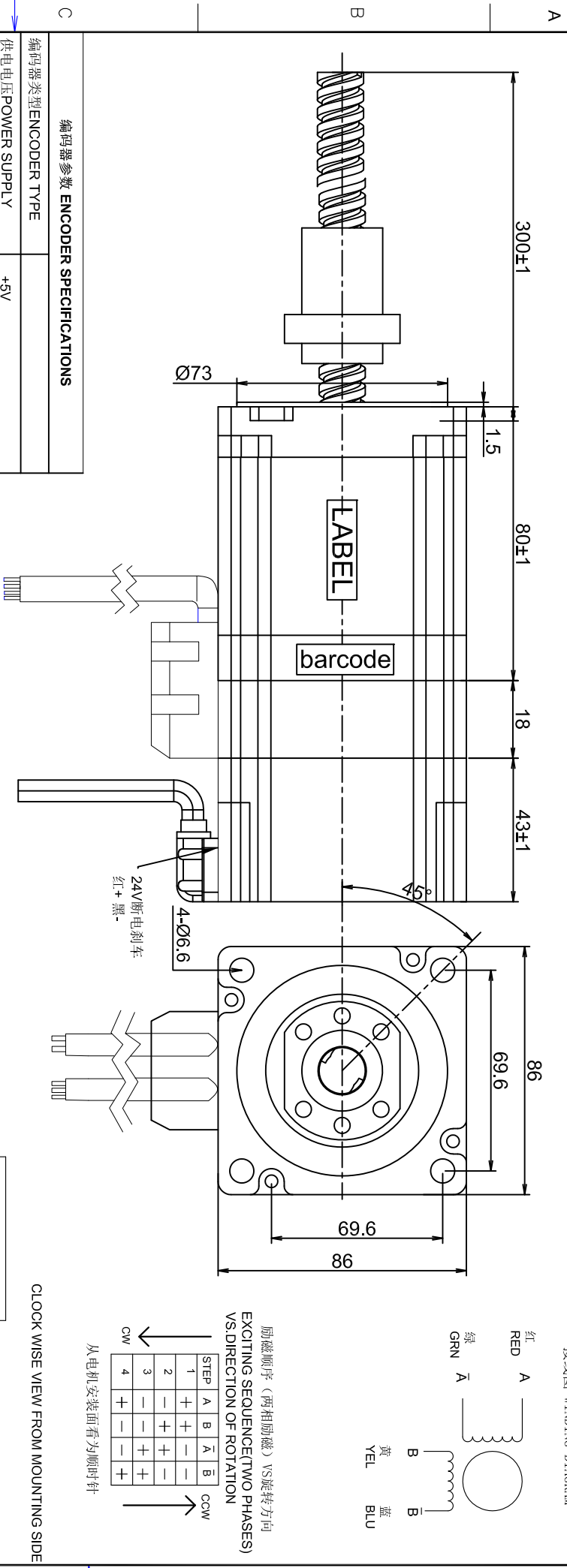


ROHS

1 2 3 4 5 6 7

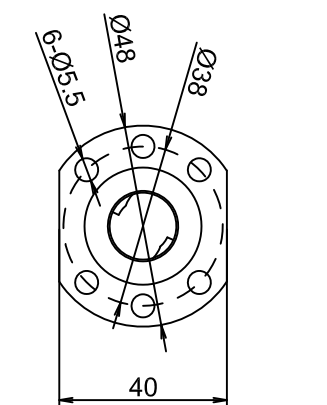
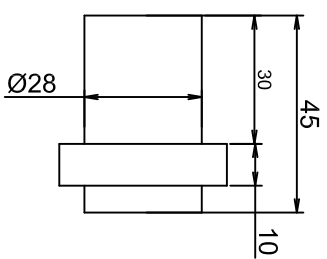


编码器参数 ENCODER SPECIFICATIONS

编码器类型 ENCODER TYPE	
供电电压 POWER SUPPLY	+5V
分辨率 RESOLUTION	1000CPR
输出类型 OUTPUT TYPE	

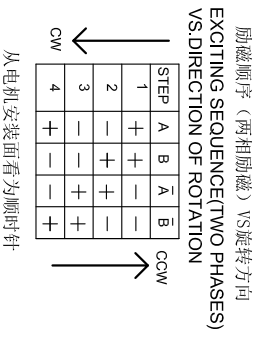
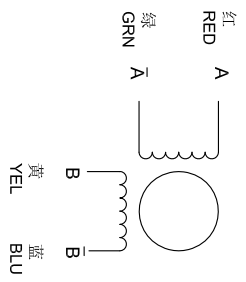
电机参数 MOTOR SPECIFICATIONS

步进角 STEP ANGLE	1.8±5%
额定电流 RATED CURRENT	6.0 Amps/PHASE
保持力矩 HOLDING TORQUE	4 Nm
电阻 RESISTANCE	0.5 ohm±0.15 AT 25°C
电感 INDUCTANCE	3.6 mH±20% AT 1KHz, 1Vrms
转子惯量 ROTOR INERTIA	
绝缘等级 INSULATION CLASS	CLASS B
绝缘电阻 INSULATION RESISTANCE	100MΩ@500VDC
螺纹导程 LEAD	10 mm
丝杆直径 LEAD SCREW DIAMETER	16 mm
整步步长 LINEAR TRAVEL PER STEP	0.05 mm
环境温度 OPERATING TEMPERATURE	-20°C~+50°C
温升 Heat Rise	80K



Encoder Connection	Motor Connection
1 WHT	+5V
2 BLK	EGED
3 GRN	EA-
4 RED	EA+
5 BLU	EB-
6 YEL	EB+

Stator barcode label
YYWWXXXXXX



CLOCK WISE VIEW FROM MOUNTING SIDE

电机型号 MOTOR CODE

EW34-260M-B10300-E1000
步进电机规格书

UNIT: mm

未标注长度及角度默认公差
UNLESS OTHERWISE SPECIFIED TOLERANCES
长度/DIMENSIONS: ±0.3mm 角度/DEGREES: ±5%
电机检验标准/Motor inspection standard: QC-ZL-011

www.aiweimotion.com



APPROVED

REV.	DATE	REVISIONS	BY
A	19-05-23	变更新款螺母 first version	John