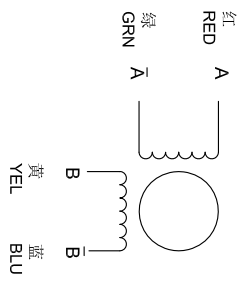


ROHS

1 2 3 4 5 6 7

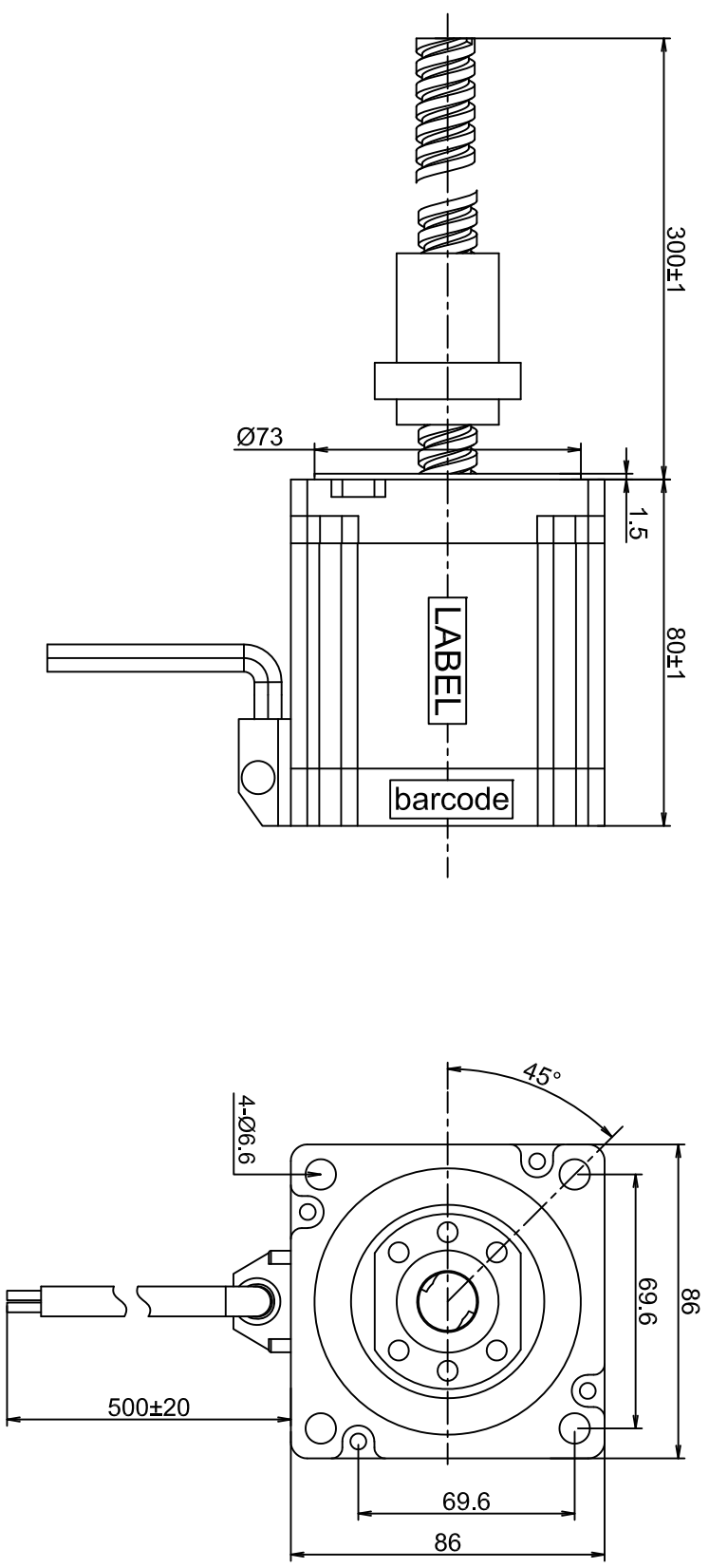
接线图 WINDING DIAGRAM



励磁顺序 (两相励磁) VS. 旋转方向
EXCITING SEQUENCE (TWO PHASES)
VS. DIRECTION OF ROTATION

STEP	A	B	Ā	B̄
1	+	+	-	-
2	-	+	+	-
3	-	-	+	+
4	+	-	-	+

从电机安装面看为顺时针

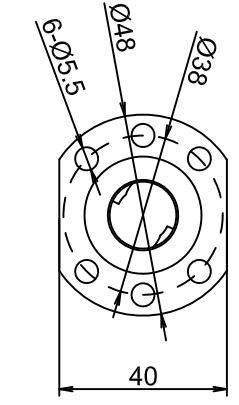
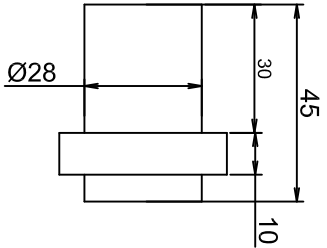


CLOCK WISE VIEW FROM MOUNTING SIDE

XXXXXXXXXX
Stator barcode label

电机参数 MOTOR SPECIFICATIONS

步进角 STEP ANGLE	1.8°±5%
额定电流 RATED CURRENT	6.0 Amps/PHASE
保持力矩 HOLDING TORQUE	4 Nm
电阻 RESISTANCE	0.5 ohm±0.15 AT 25°C
电感 INDUCTANCE	3.6 mH±20% AT 1KHz, 1Vrms
转子惯量 ROTOR INERTIA	
绝缘等级 INSULATION CLASS	CLASS B
绝缘电阻 INSULATION RESISTANCE	100MΩ@500VDC
螺纹导程 LEAD	10 mm
丝杆直径 LEAD SCREW DIAMETER	16 mm
整步步长 LINEAR TRAVEL PER STEP	0.05 mm
环境温度 OPERATING TEMPERATURE	-20°C~+50°C
温升 Heat Rise	80K



APPROVED

电机型号 MOTOR CODE
EW34-260-B10300
步进电机规格书

UNIT: mm
未标注长度及角度默认公差
UNLESS OTHERWISE SPECIFIED TOLERANCES
长度/DIMENSIONS: ±0.3mm 角度/DEGREES: ±5%
电机检验标准/Motor inspection standard: QC-ZL-011

REV.	DATE
A	19-05-23

REVISIONS	BY
变更新款螺母 first version	John
	JASON