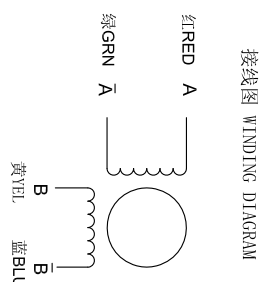
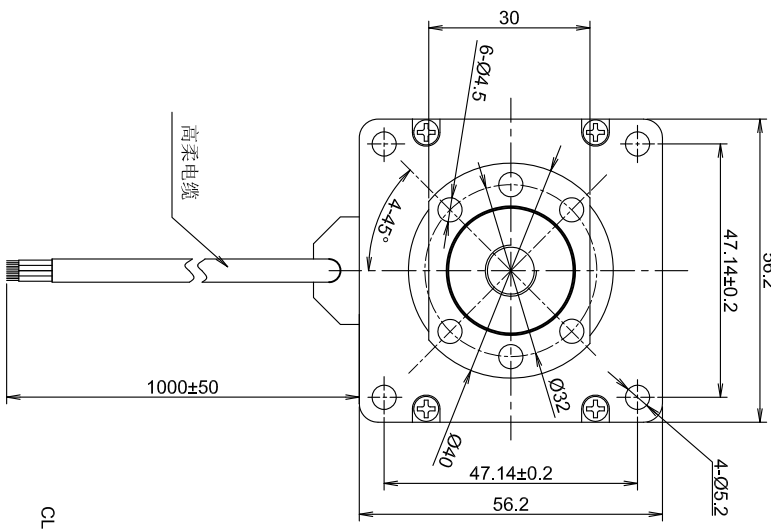
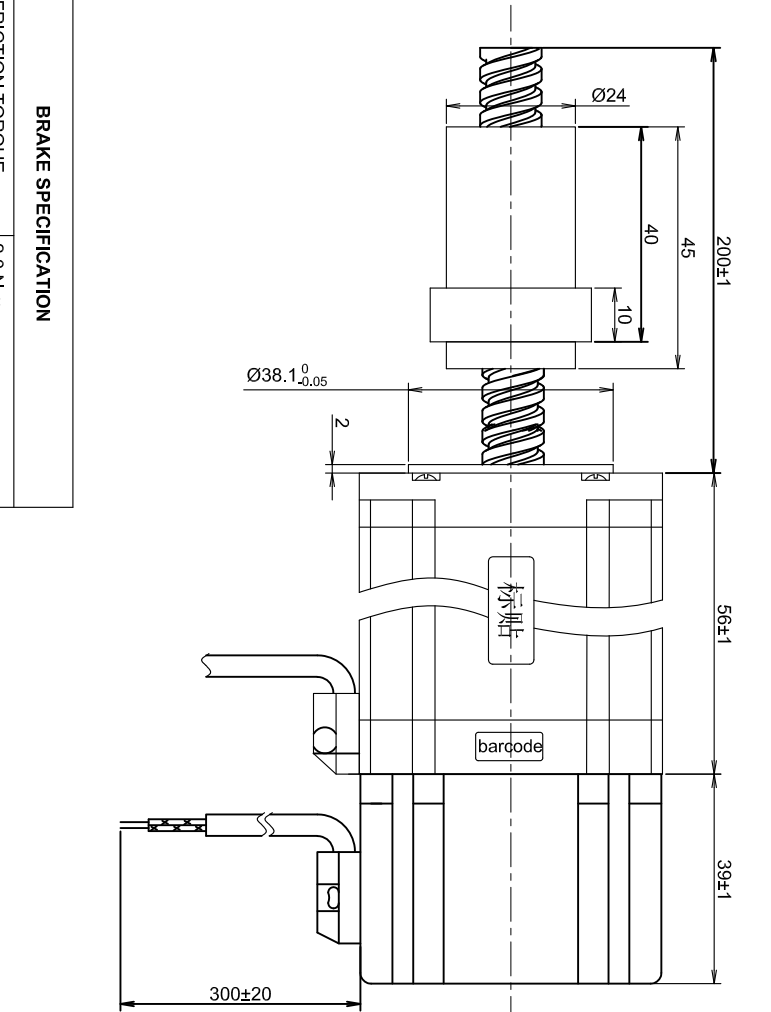


ROHS



励磁顺序 (两相励磁) VS 旋转方向
EXCITING SEQUENCE(TWO PHASES)
VS DIRECTION OF ROTATION

STEP	A	B	\bar{A}	\bar{B}	CCW
1	+	+	-	-	 CW
2	-	+	+	-	
3	-	-	+	+	
4	+	-	-	+	

CLOCK WISE VIEW FROM MOUNTING SIDE

从电机安装面看为顺时针

XXXXXXXXXX
Stator barcode label

BRAKE SPECIFICATION	
STATIC FRICTION TORQUE	2.0 N.m
RATED VOTAGE	DC 24V
电机参数 MOTOR SPECIFICATIONS	
步进角 STEP ANGLE	1.8°±5%
额定电流 RATED CURRENT	4.0 Amps/PHASE
保持力矩 HOLDING TORQUE	1.26N.m
电阻 RESISTANCE	0.6 ohm±0.15 AT 25°C
电感 INDUCTANCE	2.5 mH±20% AT 1kHz, 1Vrms
转子惯量 ROTOR INERTIA	
绝缘等级 INSULATION CLASS	CLASS B
绝缘耐压 DIELECTRIC STRENGTH	500V A.C 1MINUTE
绝缘电阻 INSULATION RESISTANCE	100MΩ@500VDC
螺纹导程 LEAD	10mm
丝杆直径 LEAD SCREW DIAMETER	12mm
整步步长 LINEAR TRAVEL PER STEP	0.05mm
环境温度 OPERATING TEMPERATURE	-20°C~+50°C
温升 Heat Rise	80K

电机型号 MOTOR CODE: **EW23-240M-B10200**
步进电机规格书

UNIT: mm
未标注长度及角度默认公差
UNLESS OTHERWISE SPECIFIED TOLERANCES
长度/DIMENSIONS: ±0.3mm 角度/DEGREES: ±5%
电机检验标准/Motor inspection standard: QC-ZL-011

REV.	DATE	BY
A	01-04-24	JASON



APPROVED