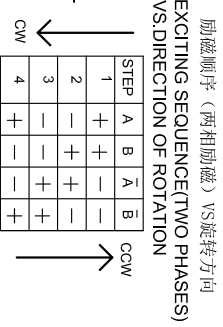
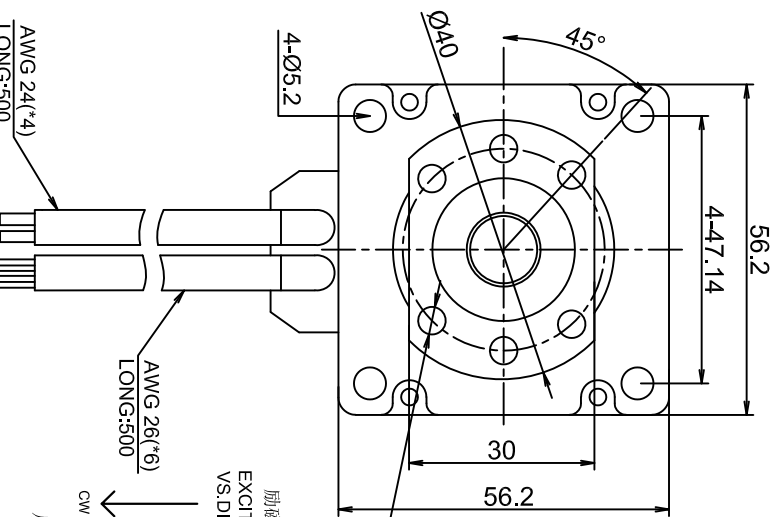
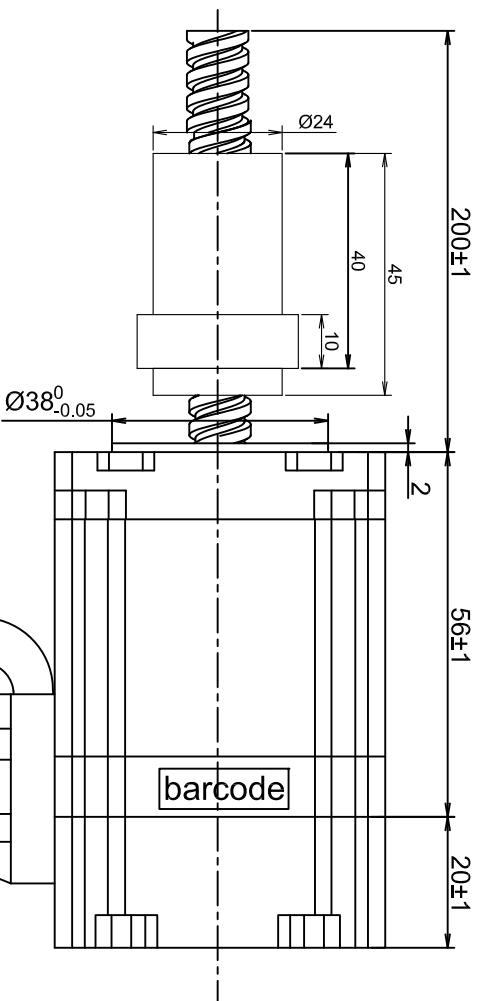
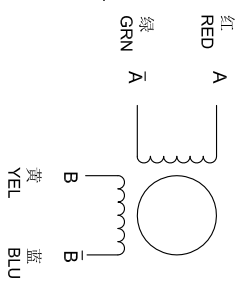


接线图 WINDING DIAGRAM



CLOCK WISE VIEW FROM MOUNTING SIDE

电机参数 MOTOR SPECIFICATIONS

编码器参数 ENCODER SPECIFICATIONS

步进角 STEP ANGLE	1.8°±5%	编码器类型 ENCODER TYPE	供电电压 POWER SUPPLY	+5V
额定电流 RATED CURRENT	4.0 Amps/PHASE	分辨率 RESOLUTION	输出类型 OUTPUT TYPE	1000CPR
保持力矩 HOLDING TORQUE	1.26 Nm	电感 INDUCTANCE		
电阻 RESISTANCE	0.4 ohm±0.15 AT 25°C	转子惯量 ROTOR INERTIA		
绝缘等级 INSULATION CLASS	CLASS B	绝缘电阻 INSULATION RESISTANCE		
螺钉导程 LEAD	10 mm	丝杆直径 LEAD SCREW DIAMETER		
整步步长 LINEAR TRAVEL PER STEP	0.05 mm	环境温度 OPERATING TEMPERATURE		
温升 Heat Rise	80K			

编码器控制 (1000线)	
1	白 +5V
2	黑 EGED
3	绿 EA-
4	红 EA+
5	蓝 EB-
6	黄 EB+

YYYYXXXXXX
Stator barcode label



APPROVED

电机型号 MOTOR CODE: EW23-240-B10200-E1000
步进电机规格书

UNIT: mm
未标注长度及角度默认公差
UNLESS OTHERWISE SPECIFIED TOLERANCES
长度/DIMENSIONS: ±0.3mm
角度/DEGREES: ±5%

电机检验标准/Motor inspection standard: QC-ZL-011

REV.	DATE	REVISIONS
A	28-09-23	first version

BY LUFEY