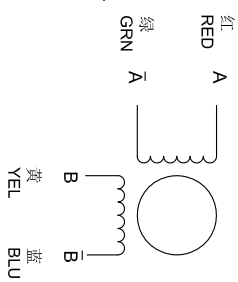
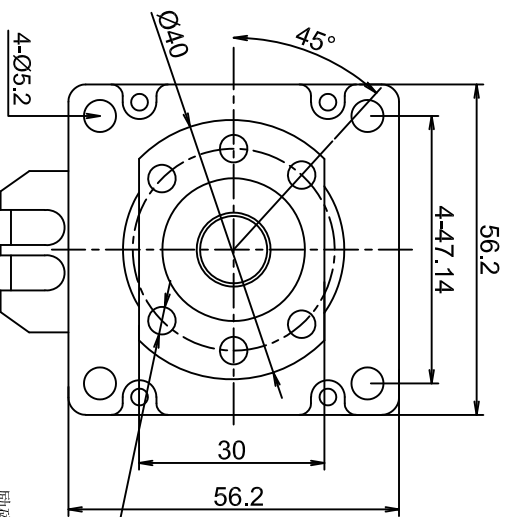
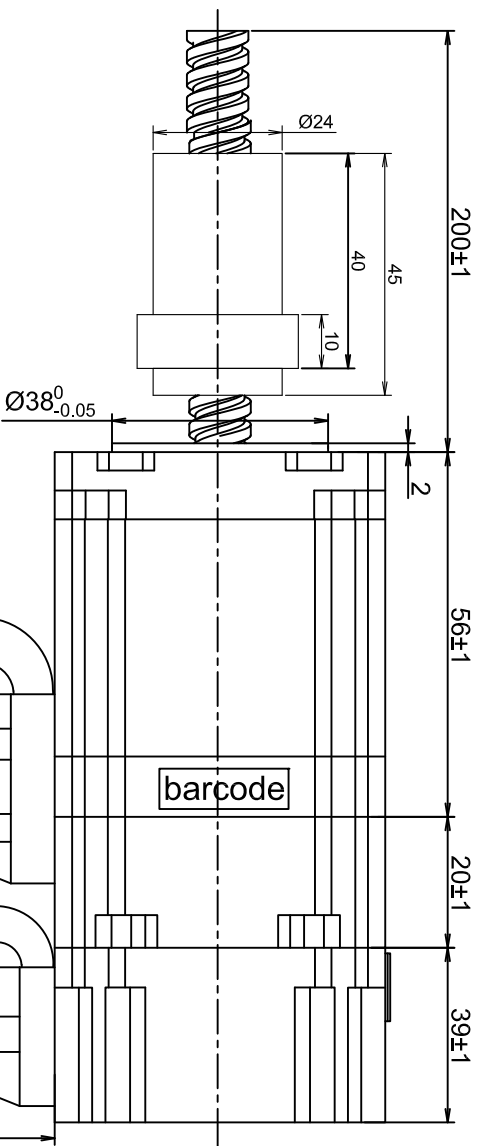


ROHS

接线图 WINDING DIAGRAM



励磁顺序 (两相励磁) VS 旋转方向  
EXCITING SEQUENCE (TWO PHASES)  
VS. DIRECTION OF ROTATION

STEP	A	B	Ā	B̄
1	+	+	-	-
2	-	-	+	+
3	-	+	-	+
4	+	+	-	-

从电机安装面看为顺时针

CLOCK WISE VIEW FROM MOUNTING SIDE

BRAKE SPECIFICATION

STATIC FRICTION TORQUE	2.0 N.m
RATED VOLTAGE	DC 24V

电机参数 MOTOR SPECIFICATIONS

步进角 STEP ANGLE	1.8°±5%
额定电流 RATED CURRENT	4.0 Amps/PHASE
保持力矩 HOLDING TORQUE	1.26 Nm
电阻 RESISTANCE	0.4 ohm±0.15 AT 25°C
电感 INDUCTANCE	1.0 mH±20% AT 1KHz, 1Vrms
转子惯量 ROTOR INERTIA	
绝缘等级 INSULATION CLASS	CLASS B
绝缘电阻 INSULATION RESISTANCE	100MΩ@500VDC
螺纹导程 LEAD	10 mm
丝杆直径 LEAD SCREW DIAMETER	12 mm
整步步长 LINEAR TRAVEL PER STEP	0.05 mm
环境温度 OPERATING TEMPERATURE	-20°C~+50°C
温升 Heat Rise	80K

编码器参数 ENCODER SPECIFICATIONS

编码器类型 ENCODER TYPE	供电电压 POWER SUPPLY	+5V
分辨率 RESOLUTION	输出类型 OUTPUT TYPE	1000CPR

编码器控制 (1000线)		
1	白	+5V
2	黑	EGED
3	绿	EA-
4	红	EA+
5	蓝	EB-
6	黄	EB+

YYYYXXXXXX  
Stator barcode label



APPROVED

电机型号 MOTOR CODE  
EW23-240M-B10200-E1000  
步进电机规格书

UNIT: mm  
未标注长度及角度默认公差  
UNLESS OTHERWISE SPECIFIED TOLERANCES  
长度/DIMENSIONS: ±0.3mm 角度/DEGREES: ±5%  
电机检验标准/Motor inspection standard: QC-ZL-011

REV.	DATE
A	28-09-23

first version  
REVISIONS  
LUFY  
BY